

Features

Electrical Properties

Parameter:	Description
Rated Current:	5A
Rated Voltage:	20V DC
Contact Resistance:	100mΩ Max.
Insulation Resistance:	100MΩ Min.
Dielectric Strength:	250V AC 1 min.



Mechanical Properties

Parameter:	Description
Operating Temperature:	-25°C~+85°C
Dimensions:	11.0 x 9.0 x 14.3 mm ± 0.2
Operating Force:	0.3 ~ 3Kg
Operating Life:	5000 cycles
Mounting:	THT
Housing:	PBT/PA66 , Black (Detail 1)
Pin:	Brass, Ag Plated (Detail 2)
Cover Terminal:	Brass, Ag Plated (Detail 3)
Terminal:	Brass, Ag Plated (Detail 4)
Break Terminal:	Bronze, Ag Plated (Detail 5)
Cover:	PBT/PA66, Black (Detail 6)

Typical applications

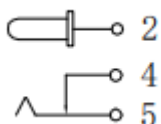
- Ethernet
- Network Switch
- Network Hub
- Modems

Description

The SPJ-1005-XX is a Power Jack connector in THT package.

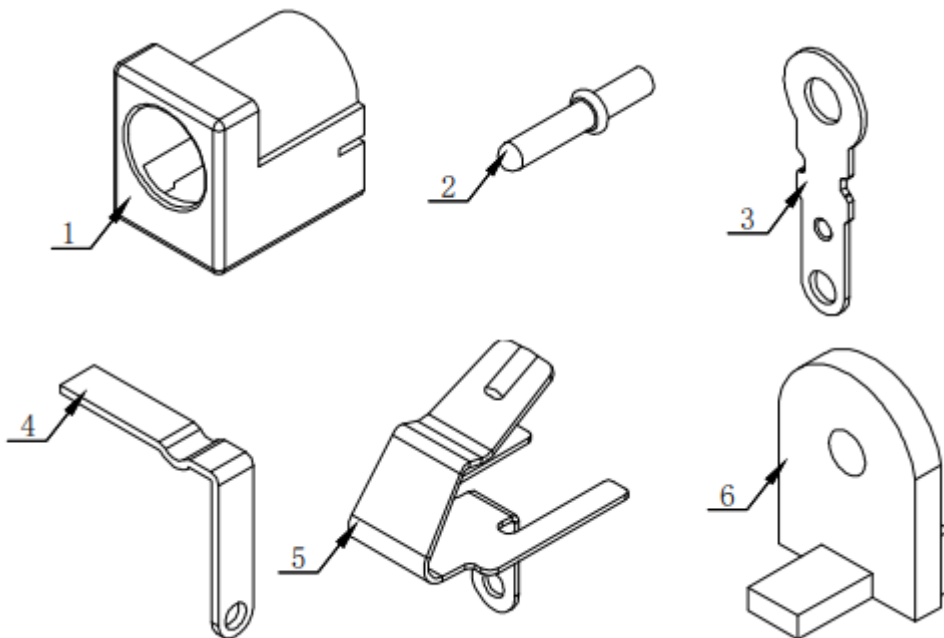
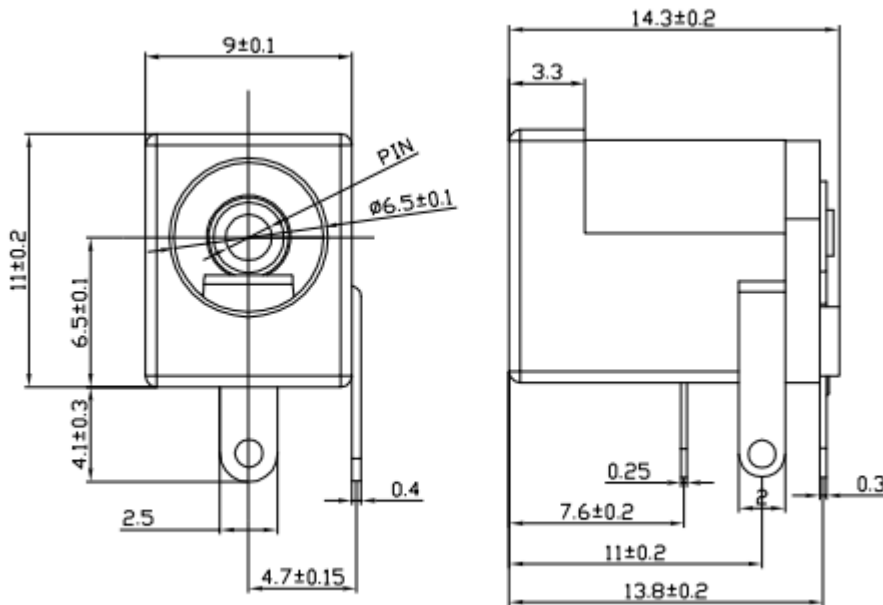
The connector can be delivered with either 2.0 (SPJ-1005-2.0) or 2.5 mm (SPJ-1005-2.5) center pin.

Electrical



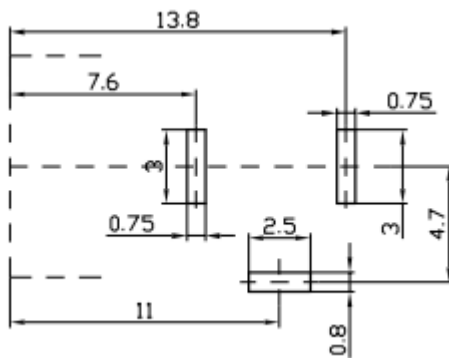
Dimensions

*unit: mm



PCB Footprint

*unit: mm



Ordering information

Ordering can be done via www.summit-electronics.com or via info@summit-electronics.com. Please contact us for more information. Customisation of the product is available on request.

Technical support

For all product questions please contact us via info@summit-electronics.com